

Handling System

Sorting Table, Side Connection, Left to Right, 1000x715mm

ITEM # _____

MODEL # _____

NAME # _____

SIS # _____

AIA # _____


865484 (BHSTS10L)

Sorting table, side connection, Left>Right, 1000x715 mm

Short Form Specification

Item No. _____

Constructed in 304 AISI stainless steel. N. 4 square 40x40mm square legs with height-adjustable feet. Underframe on three sides.

1-tier over-shelf for baskets. N. 1 waste scrape hole with a rubber ring. Attachment to infill tops or roller conveyor with a deep basin on the side.

Basket direction: left to right.

Main Features

- The sorting table must be installed together with the pre-wash infill top or roller conveyor with a deep basin on the loading side.
- Equipped with over-shelf and scrape hole for scraping food waste, placing and sorting items all in one table for space saving.

Construction

- All surfaces smooth with polished finish.
- Receiving tabletop with raised side edges all-round, reduces the possibility of crockery being pushed off the table.
- Constructed in AISI 304 stainless steel with square 40x40mm legs.
- Sorting table provided with an over-shelf for dishwashing racks which can be inclined at either the dishwashing or receiving side.
- Connection from side.
- One waste hole with a rubber scrape ring tabletop.
- Optionally equipped with tray slider, scrape plate and shelf for plates/ baskets.

Included Accessories

- 1 of Shelf for Plates and baskets, PNC 865375 1000 mm

Optional Accessories

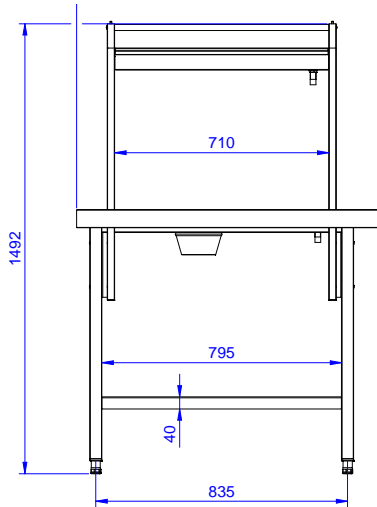
- Dish scraper PNC 85297
- Tray slide for sorting table, 1000 mm PNC 865379
- Cutlery chute to install on tray slide PNC 865383
- Floor fastening kit for 2 square legs PNC 865386
- Removable bridge table, 800 mm PNC 865418
- Removable bridge table with hole, 800 mm PNC 865419

Recommended Detergents

- C11 Detergent for dishwashers; one pack of 2 cans of 5lt. PNC 0S2092
- C13 ECO Detergent for dishwashers; one pack of 2cans of 5lt. PNC 0S2093
- C12 Rinse aid for dishwashers; one pack of 2 cans of 5lt. PNC 0S2094
- C11 Detergent for dishwashers; 1 can of 20lt. PNC 0S2281
- C30 Multipurpose descaler; one pack of 2 cans of 5lt. PNC 0S2362
- C15 ECO Rinse aid for dishwashers; one pack of 2 cans of 5lt. PNC 0S2904

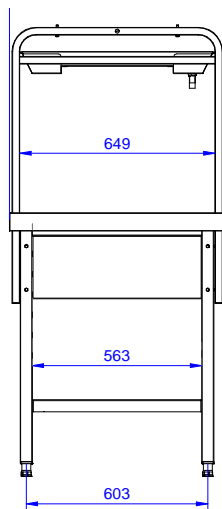
APPROVAL: _____

Front


Key Information:

External dimensions, Width:	
865484 (BHSTS10L)	1000 mm
External dimensions, Depth:	715 mm
External dimensions, Height:	1551 mm
Net weight:	34 kg

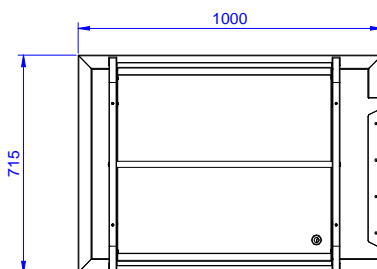
Side



D = Drain



Top



Handling System
 Sorting Table, Side Connection, Left to Right, 1000x715mm

The company reserves the right to make modifications to the products
 without prior notice. All information correct at time of printing.